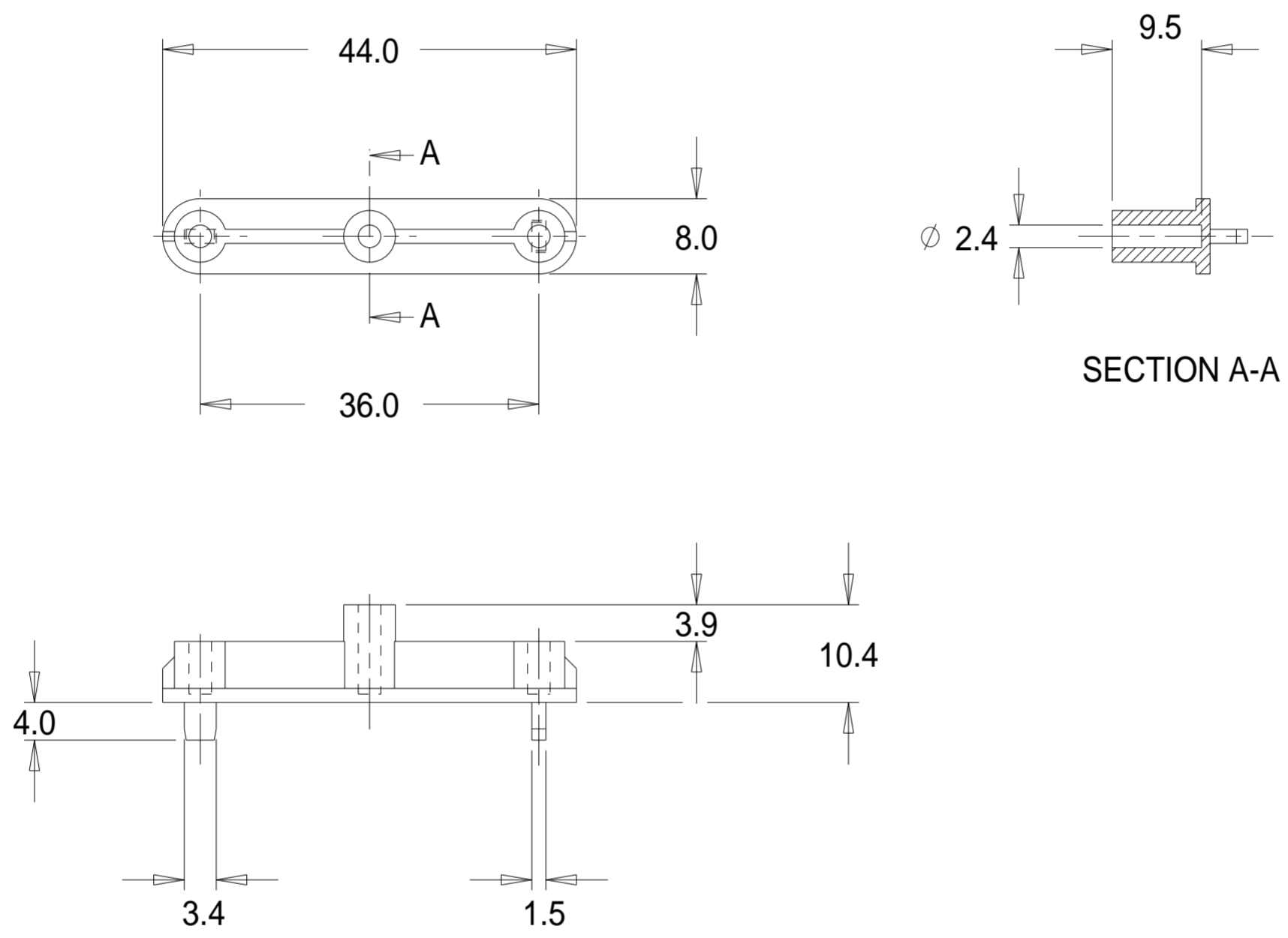


Part No. N54000

EI54 Base Fixture - One Fixing Hole



Dimensions in millimetres.

